

Data sheet

Pressure transmitters for industrial applications

Type MBS 32 and MBS 33



The standard pressure transmitters MBS 32 and MBS 33 are designed for use in almost all industrial applications, and offers a reliable pressure measurement, even under harsh environmental conditions.

The flexible pressure transmitter programme covers different output signals, absolute or gauge (relative) versions, measuring ranges from 0-1 to 0-600 bar and a wide range of pressure and electrical connections.

Excellent vibration stability, robust construction, and a high degree of EMC / EMI protection equip the pressure transmitter to meet the most stringent industrial requirements.

Features

- Designed for use in severe industrial environments
- CE-marked: EMC protected in accordance with EU EMC Directive
- Enclosure and wetted parts of acid-resistant stainless steel (AISI 316L)
- Temperature compensated, linearized and laser adjusted
- Output signals:
 - MBS 32: 0 – 5 V, 1 – 5 V, 1 – 6 V or 0 – 10 V d.c.
 - MBS 33: 4 – 20 mA
- A wide range of pressure connections
- Electrical connection: plug or cable
- For use in Zone 2 explosive atmospheres

Technical data
Performance (EN 60770)

Accuracy (incl. non-linearity, hysteresis and repeatability)	$\leq \pm 0.3\% \text{ FS (typ.)}$
	$\leq \pm 0.8\% \text{ FS (max.)}$
Non-linearity BFSL (conformity)	$\leq \pm 0.2\% \text{ FS}$
Hysteresis and repeatability	$\leq \pm 0.1\% \text{ FS}$
Thermal zero point shift	$\leq \pm 0.1\% \text{ FS / 10K (typ.)}$
	$\leq \pm 0.2\% \text{ FS / 10K (max.)}$
Thermal sensitivity (span) shift	$\leq \pm 0.1\% \text{ FS / 10K (typ.)}$
	$\leq \pm 0.2\% \text{ FS / 10K (max.)}$
Response time	Liquids with viscosity < 100 cSt < 4 ms
Overload pressure (static)	6 × FS (max. 1500 bar)
Burst pressure	6 × FS (max. 2000 bar)
Durability, P: 10 – 90% FS	> 10 × 10 ⁶ cycles

Electrical specifications

Nom. output signal (short-circuit protected)	4 – 20 mA	0 – 5 V, 1 – 5 V, 1 – 6 V	0 – 10 V,
Supply voltage [U _B], polarity protected	10 – 30 V	9 – 30 V	15 – 30 V
Supply – current consumption	–	≤ 5 mA	≤ 8 mA
Supply voltage dependency	$\leq \pm 0.05\% \text{ FS / 10 V}$		
Current limitation	28 mA (typ.)	–	
Output impedance	–	$\geq 25 \text{ k}\Omega$	
Load [R _L] (load connected to 0 V)	$R_L \leq (U_B - 10 \text{ V}) / 0.02 \text{ A}$	$R_L \geq 10 \text{ k}\Omega$	$R_L \geq 15 \text{ k}\Omega$

Environmental conditions

Sensor temperature range	-40 – 85 °C		
Media temperature range	115 - (0.35 × Ambient temp.)		
Ambient temperature range (depending on electrical connection)	See page 5		
Compensated temperature range	0 – 80 °C		
Transport / storage temperature range	-50 – 85 °C		
EMC – Emission	EN 61000-6-3		
EMC – Immunity	EN 61000-6-2		
Insulation resistance	> 100 MΩ at 100 V		
Mains frequency test	Based on SEN 361503		
Vibration stability	Sinusoidal	15.9 mm-pp, 5 Hz – 25 Hz	IEC 60068-2-6
		20 g, 25 Hz – 2 kHz	
	Random	7.5 g _{rms} , 5 Hz – 1 kHz	IEC 60068-2-64
Shock resistance	Shock	500 g / 1 ms	IEC 60068-2-27
	Free fall	1 m	IEC 60068-2-32
Enclosure (depending on electrical connection)	See page 5		

Technical data
(continued)

Explosive atmospheres

Zone 2 applications	II 3G Ex nA IIC T3 Gc -40C<Ta<+85C	EN60079-0; EN60079-15
---------------------	---	-----------------------

Mechanical characteristics

Materials	Wetted parts	EN 10088-1; 1.4404 (AISI 316 L)
	Enclosure	EN 10088-1; 1.4404 (AISI 316 L)
	Electrical connections	See page 5
Net weight (depending on pressure connection and electrical connection)		0.2 – 0.3 kg

Ordering standard

MBS 32
MBS 33

Measuring range	
0 – 1.0 bar	10
0 – 1.6 bar	12
0 – 2.5 bar	14
0 – 4.0 bar	16
0 – 6.0 bar	18
0 – 10 bar	20
0 – 16 bar	22
0 – 25 bar	24
0 – 40 bar	26
0 – 60 bar	28
0 – 100 bar	30
0 – 160 bar	32
0 – 250 bar	34
0 – 400 bar	36
0 – 600 bar	38

Pressure reference	
Gauge (relative)	1
Absolute	2

Pressure connection	
A B 0 4	G ¼ A (EN 837)
A B 0 8	G ½ A (EN 837)
A C 0 4	¼ – 18 NPT
B A 1 2	DIN 3852/3; M18 × 1.5 – 6 g NBR O-ring
B A 1 6	DIN 3852-E-M22 × 1.5 NBR gasket
G B 0 4	DIN 3852-E-G ¼ gasket DIN 3869-14

Electrical connection	
1	Plug Pg 9 (EN175301-803-A)
3	Screened cable, 2 m

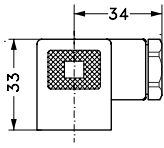
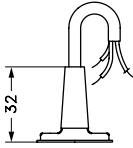
Output signal	
1	4 – 20 mA ¹⁾
2	0 – 5 V ²⁾
3	1 – 5 V ²⁾
4	1 – 6 V ²⁾
5	0 – 10 V ²⁾

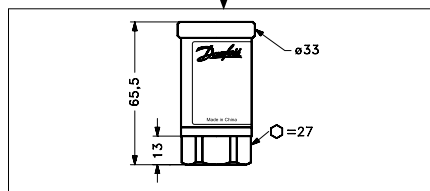
¹⁾ MBS 33 only ²⁾ MBS 32 only

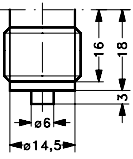
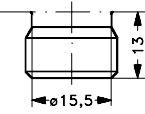
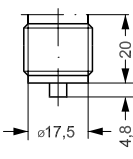
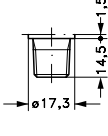
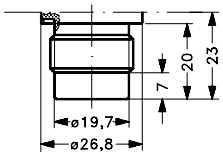
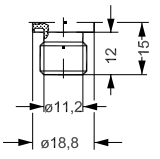
Preferred version

Non-standard build-up combinations may be selected. However, minimum order quantities may apply. Please contact your local Danfoss office for further information or request on other versions.

Dimensions / Combinations

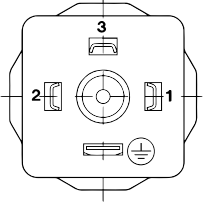
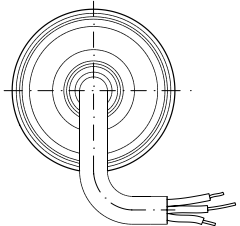


Type code	1	3
	EN175301-803-A, Pg 9	2 m screened cable
		



						
Type code	AB04	AB12	AB08	AC04	BA16	GB04
Recommended torque ¹⁾	30 – 35 Nm	30 – 35 Nm	30 – 35 Nm	2 – 3 turns after finger tightened	30 – 35 Nm	30 – 35 Nm

¹⁾ Depends of different parameters as packing material, mating material, thread lubrication and pressure level.

Electrical connections

Type code	1	3
	 <p>EN 175301-803-A, Pg 9</p>	 <p>2 m screened cable</p>
Ambient temperature	-40 – 85 °C	-40 – 85 °C
Enclosure (IP protection fulfilled together with mating connector)	IP65	IP67
Material	Glass filled polyamid, PA 6.6	Poliolyfin cable with PE shirkage tubing
Electrical connection, 4 – 20 mA output (2 wire)	Pin 1: + supply Pin 2: ÷ supply Pin 3: not used  Earth: Connected to MBS enclosure	Brown wire: + supply Black wire: ÷ supply Red wire: not used Orange: not used Screen: not connected to MBS enclosure
Electrical connection, 0 – 5 V, 1 – 5 V, 1 – 6 V, 0 – 10 V output	Pin 1: + supply Pin 2: ÷ supply ¹⁾ Pin 3: + output  Earth: Connected to MBS enclosure	Brown wire: + output Black wire: ÷ supply ¹⁾ Red wire: + supply Orange: not used Screen: not connected to MBS enclosure

¹⁾ Common